

**Maintenance Support System
For Electrical / Instrument / Rotating Equipment**

COMPASS

Compact Maintenance Support System for Plant Asset

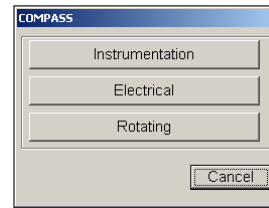


COMPASS: Leading Software for Maintenance Data Management

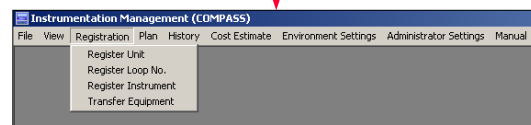
COMPASS is software that helps you to manage maintenance data of your productive facility easily and efficiently. This software provides you functions such as managing item specifications, maintenance planning, managing maintenance history that assist your *PDCA cycle.

JGC JAPAN CORPORATION is not only a software provider but also a service provider of maintenance work. With using our other software called A-MIS, which is designed to manage information of static equipment and piping, you are capable of managing maintenance data of your whole productive facility efficiently.

* Plan-Do-Check-Act



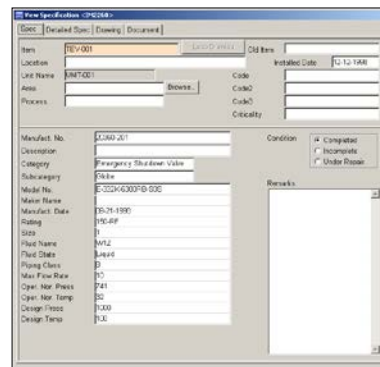
•Category Selection



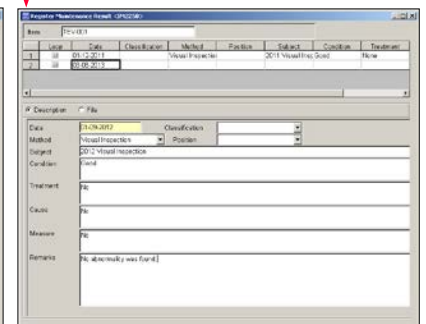
•Main Menu

v	Unit Name	Item	Category	Method	Base Month	Interval (Month)	Next	2010	2011	2012	2013	2014	2015
1	UNIT-001	TEV-001	Emergency Shutdown Valve	Emergency Shutdown Overhaul	01-2013	36	01-2016				T		
2	UNIT-001	TEV-001	Emergency Shutdown Valve	Emergency Shutdown Performance Test	01-2013	24	01-2015						T
3	UNIT-001	TEV-001	Emergency Shutdown Valve	Emergency Shutdown Visual Inspection	01-2013	12	01-2014		H	H	T	T	T
4	UNIT-001	TEV-002	Emergency Shutdown Valve	Emergency Shutdown Overhaul	01-2013	36	01-2016				T		T
5	UNIT-001	TEV-002	Emergency Shutdown Valve	Emergency Shutdown Performance Test	01-2013	24	01-2015				T		T
6	UNIT-001	TEV-002	Emergency Shutdown Valve	Emergency Shutdown Visual Inspection	01-2013	12	01-2014				T	T	T

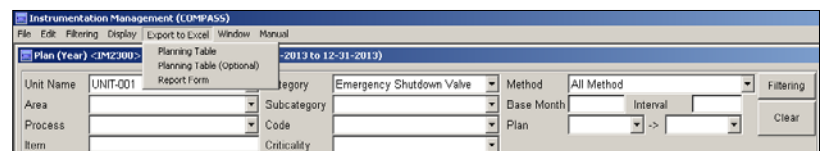
•Maintenance Planning



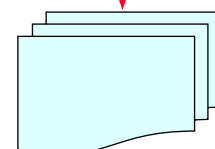
•Item Specifications



•Maintenance History



•Export Data to Excel



•Print Data Sheets

Features

1. Easy-to-use Design

COMPASS is packaged software that provides you useful functions to manage maintenance information and therefore you can use this software on the day you introduce it to your site.

Due to its easy-to-use design, every user operates the software without discomfort.

2. Import & Export Data with Excel

Since the Excel is applied as a standard file format of COMPASS, it is easy to export and import data.

By using Excel files as intermediates, COMPASS is capable of sharing data with other systems.

3. Generate Data Sheet

Based on your company standards, you can develop your own data sheets and export the data stored in COMPASS onto those sheets.

* The file format of data sheets is only Excel.

4. Data Security

Since viewing function and registering function are completely separated, the data stored in COMPASS is secured. Only authorized users can access to the editable data.

* Print menu is not available on viewing window.

* Register, modify and print menus are available on register window.

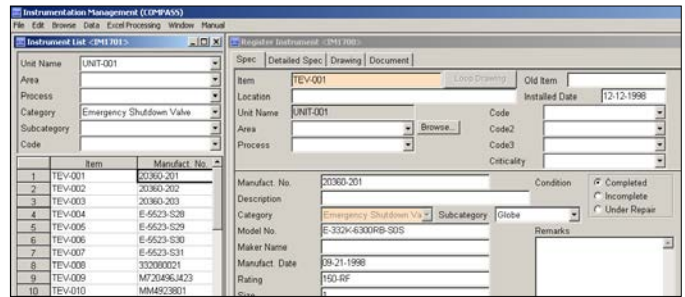
Common Functions

1. Manage Item Specifications

Specifications, components, drawings and related documents of each item can be registered and be browsed.

You can edit the attributes (data title) of the user interfaces as you wish.

With dedicated Excel files, specifications of multiple items can be registered or modified at once.



•Registration of Item Specifications

2. Maintenance Planning

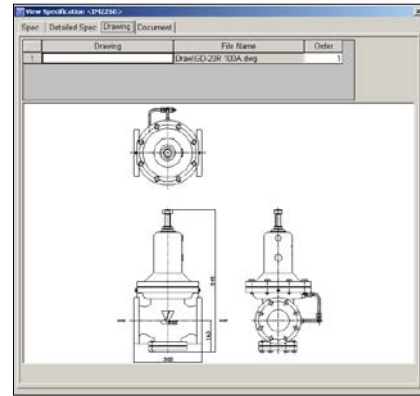
Plans of each inspection method can be registered or be browsed. Registered inspection plans and inspection histories are displayed on a list with using symbols. Two display styles for the list are available-yearly display and monthly display. When the monthly display is applied, you can also register pending issues, comments, remarks and so on.

3. Manage Maintenance History

With Excel files, maintenance histories of multiple equipment can be registered at one time. In addition, documents in TIF, PDF, BMP, Word, Excel and other file formats, can be attached to those registered maintenance histories.

4. Estimate Costs for Maintenance

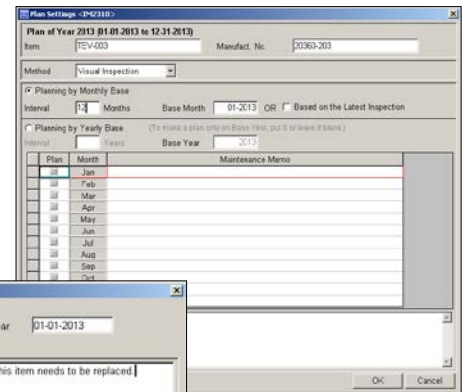
Estimated costs for every maintenance work can be managed. By accumulating the data, you can acquire the total estimated maintenance cost of a year.



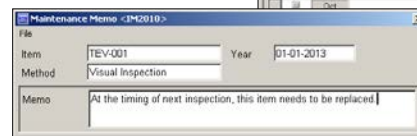
•Drawing

v	Unit Name	Item	Category	Method	Base Month	Interval (Months)	Next	2010	2011	2012	2013	2014	2015
1	UNIT-001	TEV-001	Emergency Shutd	Overhaul	01-2013	36	01-2016				T		
2	UNIT-001	TEV-001	Emergency Shutd	Performance Test	01-2013	24	01-2015				T		T
3	UNIT-001	TEV-001	Emergency Shutd	Visual Inspection	01-2013	12	01-2014		H	H	T	T	T
4	UNIT-001	TEV-002	Emergency Shutd	Overhaul	01-2013	36	01-2016				T		
5	UNIT-001	TEV-002	Emergency Shutd	Performance Test	01-2013	24	01-2015				T		T
6	UNIT-001	TEV-002	Emergency Shutd	Visual Inspection	01-2013	12	01-2014				T	T	T

•Plan List



•Planning Window



•Maintenance Memo

Unique Functions

1. Electrical Equipment

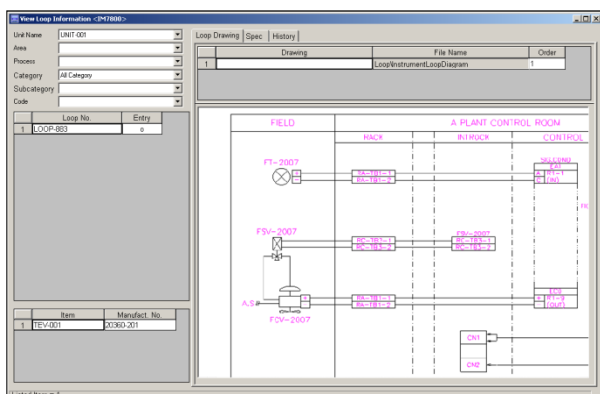
■ Display One-line Diagram

■ Manage Measuring Data

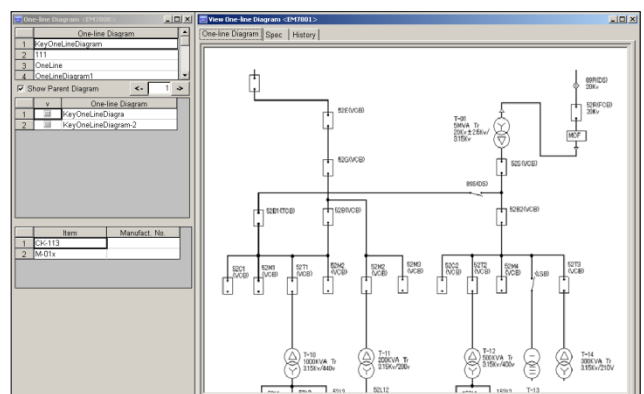
COMPASS stores measurement data of insulation resistance obtained from power lines and operating lines of electric motors (high/low voltage) and high voltage cables.

2. Instrument

■ Display Loop Information



•Loop Information



•One-line Diagram

Operating Environment

Hardware Requirements (Recommendation)

Server (With Network)	CPU : 3GHz (x86 x64)
	Memory : 4GB or more
Client	CPU : 2~3GHz (x86 x64)
	Memory : 4GB or more
	Display : 1024×768 or more
Stand-Alone	CPU : 2~3GHz (x86 x64)
	Memory : 4GB or more
	Display : 1024×768 or more

OS/DBMS Environment

Oracle Database		11.2	12.1	12.2
Network	Server	Windows 2008 (x64)	Windows 2008 (x64)	Windows 2012 (x64)
		Windows 2012 (x64)	Windows 2012 (x64)	Windows 2016 (x64)
	Client	Windows 7 Pro (x86 x64)	Windows 7 Pro (x86 x64)	Windows 7 Pro (x86 x64)
			Windows 8.1 Pro (x86 x64)	Windows 8.1 Pro (x86 x64)
Windows 10 Pro (x86 x64)	Windows 10 Pro (x86 x64)			
Oracle Personal Edition		11.2	12.1	12.2
Stand-Alone	Windows 7 Pro (x86 x64)	Windows 7 Pro (x64)	Windows 7 Pro (x64)	
		Windows 8.1 Pro (x64)	Windows 8.1 Pro (x64)	
		Windows 10 Pro (x64)	Windows 10 Pro (x64)	

※Additional meetings are required in order to discuss computer-mediated environment such as network protocol.

※The system architecture and the specifications may change without prior announcement.

※Oracle and Java are registered trademarks of Oracle and/or its affiliates. Other names may be trademarks of their respective owners.

※Windows is a registered trademark of Microsoft Corporation in the United States and other countries.

Operating Support

■ System Support Group

Your requests and inquiries are highly appreciated.

Specialized staffs will assist your operation of A-MIS and related systems.

JGC JGC JAPAN CORPORATION

Maintenance Information Technology Department, Maintenance Solution Division

2-3-1, Minatomirai, Nishi-ku, Yokohama-shi, Kanagawa, 220-6001, Japan

TEL : 81-45-307-3694 FAX : 81-45-307-4785

<https://www.jgc.com/en/> System Site : <https://www.a-mis.com/enUser/>

November 2019